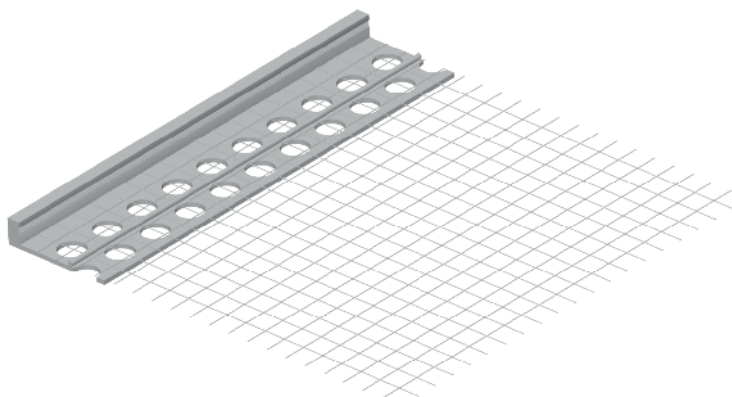


# external stop bead L



- enables connection of varicolored plasters or paints
- enables time-differentiated plaster implementation
- reaching of an even plaster coating
- shortening of time of finishing work

Material	Dimension mm	Ordering No.	Length m	Packing pcs
PVC	3	D/16.4	2,0	25
PVC	3	D/16.5	2,5	25
PVC	6	D/17.4	2,0	25
PVC	6	D/17.5	2,5	25
PVC	10	D/18.4	2,0	25
PVC	10	D/18.5	2,5	25
PVC	15	D/19	2,0	25
PVC	15	D/19.1	2,5	25

## Recommendation:

In principle, these profiles are used only for thermal insulation purposes. Larger plastered areas need to be divided into smaller sections using dilatations.

## Storage:

A horizontal storage position is recommended. The profiles need to be stored in a dry place. Maximum recommended storage time is 24 months.